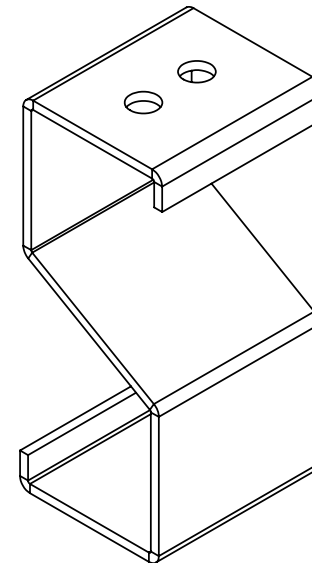


Pencil Holder

1. Draw file to size
2. Markout and drill the holes
3. Bend from the ends
4. Bend the 60 degree angles using a protractor



PROPRIETARY AND CONFIDENTIAL
 THE INFORMATION CONTAINED IN THIS DRAWING IS THE SOLE PROPERTY OF THE DESIGNER. ANY REPRODUCTION IN PART OR AS A WHOLE WITHOUT THE WRITTEN PERMISSION OF THE DESIGNER IS PROHIBITED.

UNLESS OTHERWISE SPECIFIED DIMENSIONS ARE IN MILLIMETERS TOLERANCES ARE: XXX (0 PLS) ±0.5MM XX.X (1 PLS) ±0.1MM X.XX (2 PLS) ±0.03MM UNLESS OTHERWISE NOTED	CAD GENERATED DRAWING DO NOT MANUALLY UPDATE	A Carty	
	APPROVALS	TITLE: Firhouse CC	
MATERIAL	DESIGNER:	FILE NAME: Pencil_Holder	
FINISH: BREAK ALL SHARP EDGES R0.13 MAX	APPROVED:	DIRECTORY: C:\Documents and Settings\Administrator\My Documents\CAD\SolidWorks	
DO NOT SCALE DRAWING	DATE: 10/16/2006	SIZE A4	SCALE:1:2
		DWG. NO. :1	REV. 1
		SIGNATURE:	SHEET 1 OF 1